

RECORD SPEARING ADJUSTMENT

It is most important that the record be transferred in to the correct position for spearing. This adjustment can be carried out as follows:-

FIG. A

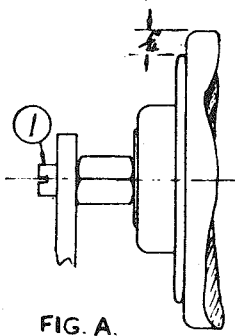


FIG. A.

Bring mechanism into the play position without a record. The record spindle will be clamped firmly against the turntable in this position. Check to see whether the record spindle is clamped centrally on the turntable. There should be $\frac{1}{4}$ " of blue felt between the edge of the turntable and the plastic shell covering the record spindle. (As indicated on diagram). To ensure that it is central, loosen screw (1) holding the record spindle to the clamp arm. This will allow the record spindle to automatically centre itself while the turntable is in motion. When the spindle is perfectly central on the turntable, re-tighten screw (1) firmly.

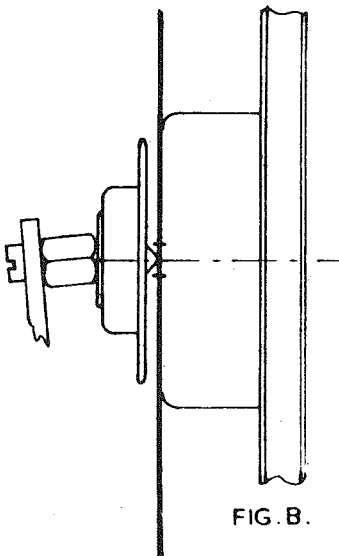


FIG. B.

FIG. B.

Select a record towards the middle of the magazine (e. g.)- A10 and stand by with your finger on the main power switch on the back of the machine. As soon as the record spindle is about to enter the hole in the record (As shown in diagram) stall the machine by turning off the power. In this position, the very tip of the record spindle should be dead centre of the hole, horizontally and vertically.

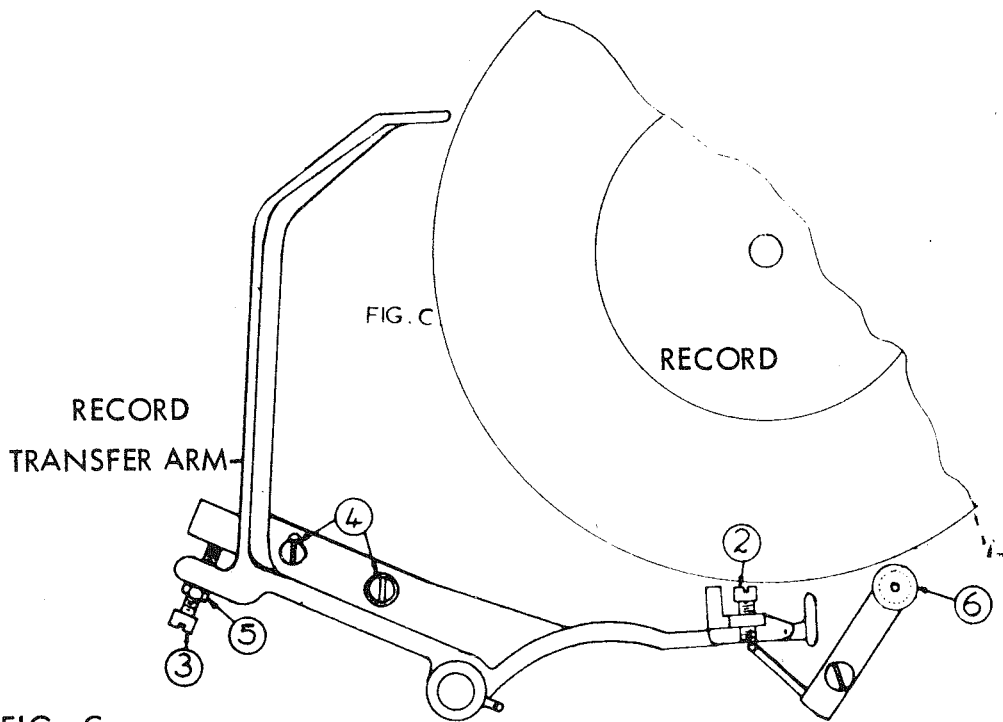


FIG. C.

Should the record not be in the correct position, it can be adjusted vertically by altering the adjustment screw (2) and horizontally by altering the adjustment screw (3) on the record transfer arm. To adjust screw (3), you must first loosen lock nut (5) and locking screws (4).

BE SURE TO RE-TIGHTEN ALL LOCKING SCREWS AND LOCK NUTS AFTER THE ADJUSTMENT HAS BEEN MADE.

If the spearing is correctly adjusted, there should be a clearance of at least 1/8" between the guide roller (6) and the record.

SAFETY SWITCH C11 ADJUSTMENT (FIG. C1.)

Switch **C23** is designed as a safety precaution against a record jamming or failure of the clamp arm to engage properly.

To adjust bring record into play position and adjust switch blades so that there is 1/16" gap between the white plastic lifter and the switch activating pin (as indicated in the diagram).

There should be plenty of tension between the two switch blades when the record is in play position.

