

SERVICE-INFORMATION

2/85

27.11.85

-E-

PHONOGRAPHS

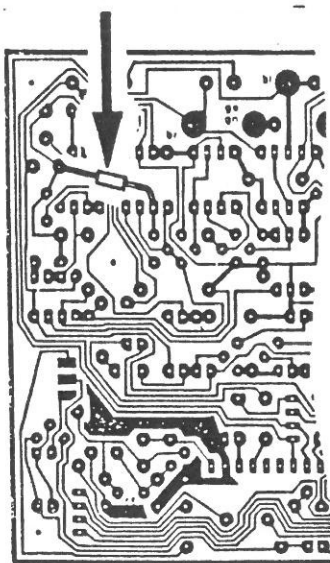
Re. Carriage ES II, ES III, ES IV
DC-Drive Motor doesn't reverse

If the carriage drive motor is not reversing, check first the turntable motor for clock and counterclockwise change at left end of record magazine.

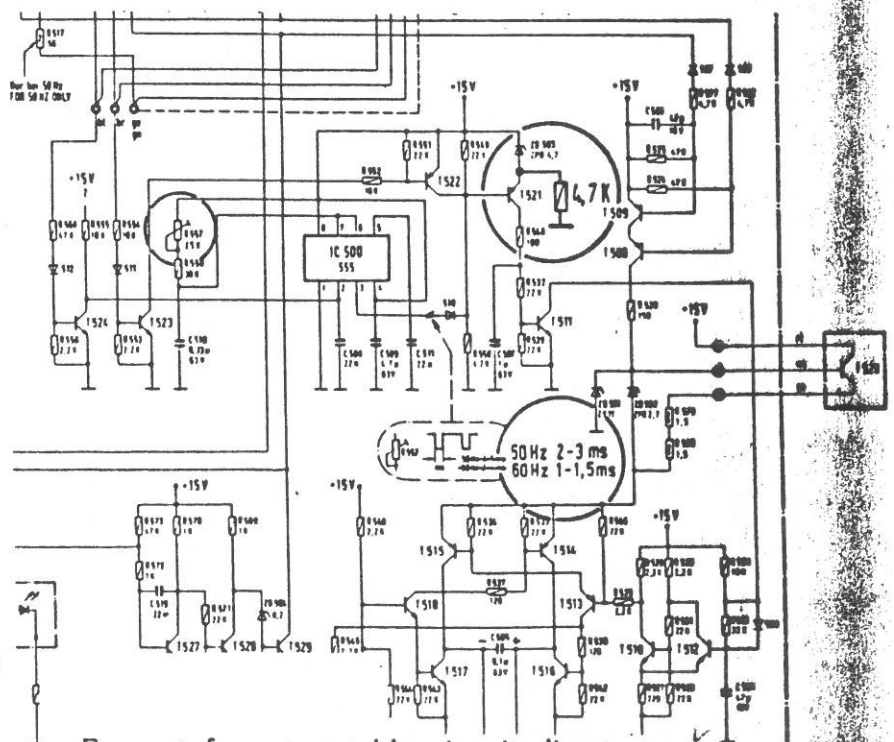
If the turntable motor doesn't change the rotation the cause is in the central unit, power-supply or control and credit unit.

If the turntable motor changes correctly the rotation, but the drive motor doesn't reverse, the pulse comparison circuit must be corrected as follows:

1. A 4,7 kOhm 1/3 W resistor (MA No. 221 034) must be connected between the emitter of transistor T 521 and ground to drain off the residual voltage.
(See excerpt circuit diagram at carriage-bracket PCB)
2. Adjust the rectangular time signal (delivered from the sine wave signal by turntable motor) with potentiometer R 557 to a value between 2 and 3 ms at 50 Hz or between 1 and 1,5 ms at 60 Hz: measure with an oscilloscope at Diode D 510.
3. If measurement with an oscilloscope is not possible, an approximate adjustment can be made by adjusting the potentiometer R 557 all way to clockwise direction, then turn back slightly in counterclockwise direction.



PCB at carriage bracket



Excerpt from turntable circuit diagram