



STEREO SPEAKER CONTROL, TYPE S10LT-3

For Use On 70 Volt Constant Voltage Stereo Speaker Distribution Lines
Maximum Speaker Load - 10 Watts Per Channel

The Stereo Speaker Control, Type S10LT-3 is for volume level adjustment of stereo speakers connected to the 70-volt, constant voltage speaker lines. It is designed for use in sound distribution systems in which extended frequency range and low distortion are important. One or more pairs of 70-volt constant voltage stereo speakers may be controlled in seven 3 db steps (or turned off) without affecting other speakers connected to the same constant voltage stereo amplifier. It may be installed by flush mounting in a control panel or wall mounting using conventional conduit and outlet boxes.



Use of this Control in the C. V. speaker lines does not affect speaker or amplifier connections. Information contained in speaker or amplifier instruction folders must be applied as though the Stereo Speaker Control were not used.

INSTALLATION

The Stereo Speaker Control may be located at any convenient place between the amplifier and the speakers. Connections for a pair of stereo speakers are shown in Figure 2. The same circuit can be used for connecting two or more pairs of speakers for group control provided the total speaker load does not exceed the stereo amplifier power rating. Figure 3 shows connections for controlling two speaker groups.

NOTE: Make certain that maximum total speaker load on each Stereo Speaker Control does not exceed 10 watts per channel.

PANEL MOUNTING

Provide a rectangular panel opening $3\frac{3}{4}$ " wide by $2\frac{3}{4}$ " high to permit front entry of the Line Control. Secure to the panel (maximum panel thickness - $\frac{1}{4}$ ") by means of the flat head screws indicated as "A" in Figure 5. Mount the escutcheon to the control with oval head screws "B" and attach the control knob to the switch shaft.

WALL MOUNTING

A typical installation is illustrated in Figure 6 using a 2 gang, $2\frac{1}{2}$ " deep outlet box and conduit. After the conduit work has been completed, the Speaker Control may be wired in and installed by using the mounting screws provided.

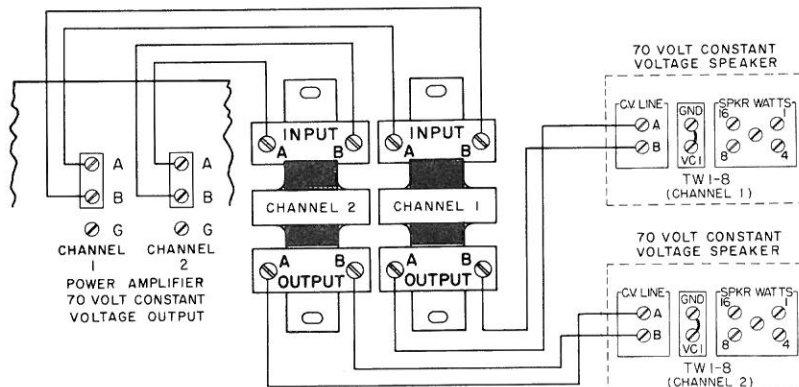


Figure 2

STEREO SPEAKER CONTROL, Type S10LT-3

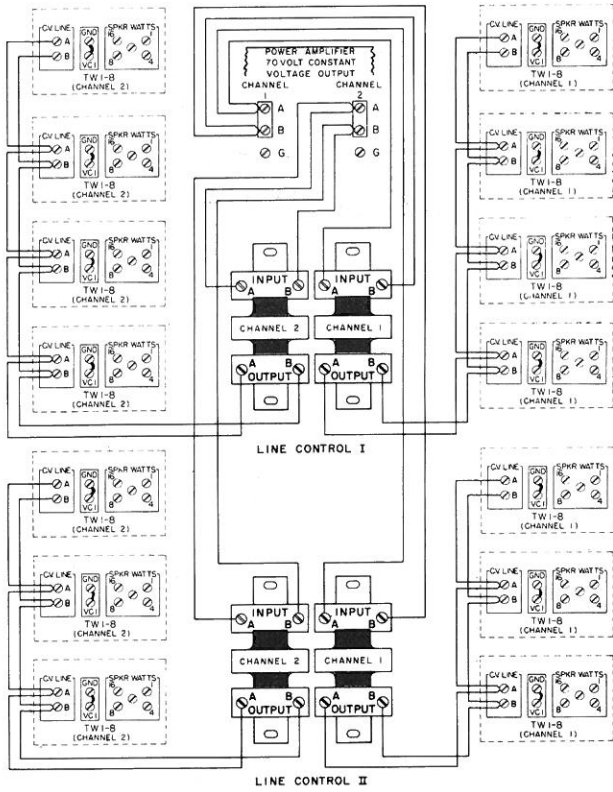


Figure 3. Group Connections

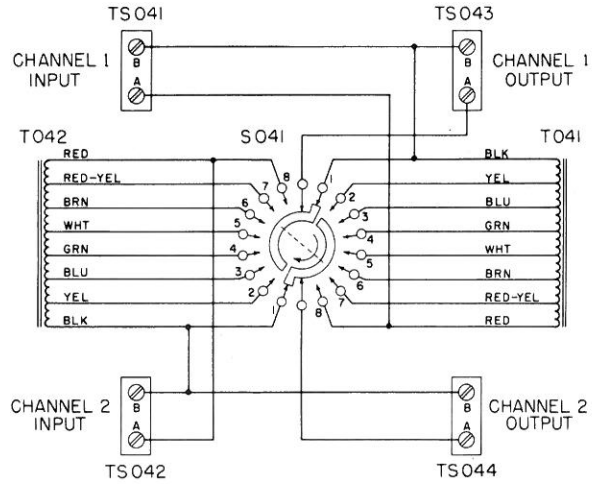


Figure 4. Schematic Diagram

PARTS LIST

Item	Part No.	Description
S041	508115	Switch
T041	503572	Transformer
T042	503572	Transformer
TS041	503571	Terminal Strip (Input)
TS042	503571	Terminal Strip (Input)
TS043	503586	Terminal Strip (Output)
TS044	503586	Terminal Strip (Output)

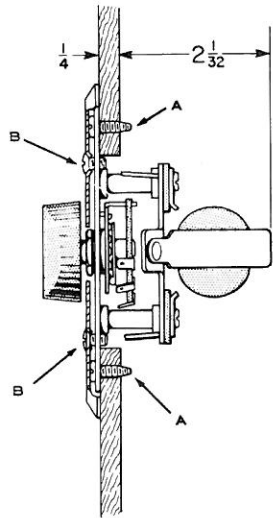
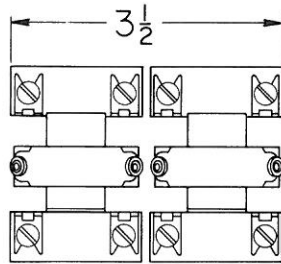


Figure 5.



KNOB PART NO. 305315
ESCUTCHEON PLATE PART NO. 508119

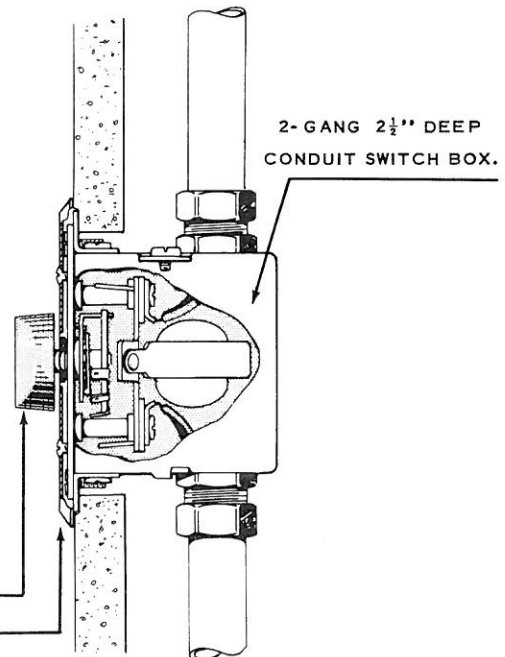


Figure 6.