

#### GENERAL CHARACTERISTICS

Nominal Overall Diameter .....	307	mm
Nominal Voice Coil Diameter .....	38	mm
Magnet Weight .....	826	g
Flux Density .....	1.26	T

#### THIELE-SMALL PARAMETERS

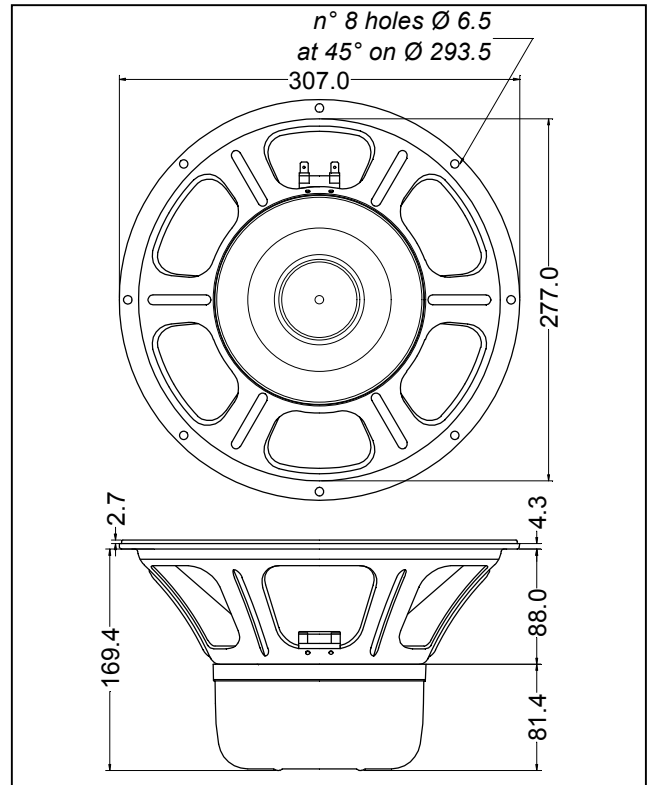
Voice Coil DC Resistance.....	$R_E$	12.00	Ω
Resonance Frequency .....	$f_s$	91.0	Hz
Mechanical Q Factor.....	$Q_{MS}$	5.77	
Electrical Q Factor.....	$Q_{ES}$	0.98	
Total Q Factor.....	$Q_{TS}$	0.84	
Mechanical Moving Mass .....	$M_{MS}$	27.0	g
Mechanical Compliance .....	$C_{MS}$	125.0	μm/N
Force Factor.....	$B \times l$	13.71	Wb/m
Equivalent Acoustic Volume .....	$V_{AS}$	42.2	lt.
Maximum Linear Displacement ...	$X_{MAX}$	1.00	mm
Reference Efficiency .....	$\eta_0$	2.84	%
Diaphragm Area .....	$S_D$	490.8	cm <sup>2</sup>
Losses Electrical Resistance .....	$R_{ES}$	70.0	Ω
Voice Coil Inductance @ 1kHz.....	$L_E$	1.05	mH

#### CONSTRUCTIVE CHARACTERISTICS

Magnet .....	AlNiCo
Voice Coil Winding.....	Copper
Voice Coil Former.....	Kapton
Cone .....	Paper
Surround .....	Integrated Paper
Dust Dome .....	Solid Paper
Basket .....	Pressed Sheet Steel

#### ELECTRICAL CHARACTERISTICS

Nominal Impedance .....	16	Ω
Rated Power (DIN 45573 - IEC 268.5) .....	50	W
Musical Power (DIN 45500) .....	100	W
Sensitivity @ 1 W, 1 m.....	97.8	dB



— Frequency Response on IEC Baffle (DIN 45575) @ 1 W, 1 m - Impedance

